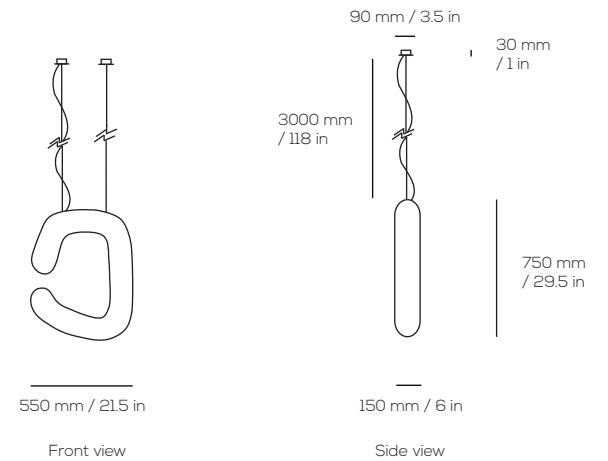




**ANGO**  
www.angoworld.com

**Product name : Orbette (4 pcs Orbette )**  
**Product ref : CL23084**

Type : Mains voltage modular pendant light system  
Lamp base type : G9  
Lamp type : G9 LED Filament 3W x 13  
Diffuser material : Rattan  
Base Material : Hand finished stainless steel  
Size : 550 mm W x 150 mm D x 750 mm H  
21.5 in W x 6 in D x 29.5 in H  
Packaging size : 800 mm W x 600 mm D x 200 mm H  
31.5 in W x 23.5 in D x 8 in H



\* Please note that due to the handmade nature of our products, slight variations in size may occur compared to the tear sheet. Additionally, colors may change over time and with usage.